

Lilyking Stoves

www.StovesRus.eu



INSTRUCTION MANUAL

Thank you for purchasing this product from a professional manufacturer and exporter of cast iron stoves.

The stove models 627/629,657/659,667/669,677/679 are all multi-fuel stoves. The secondary burning system is easy to use, reliable, and constructed to exacting standards.

We wish you many years of safe heating and cooking pleasure with your new LILYKING stoves. If you need any assistance regarding the installation or maintenance of your stove, contact your local dealer or our main sales office as noted on the cover.

CONTENT

Caution and Safety Notice	1
Diagram	2
Flue System	7
Floor and Wall Protection	8
Installation and Placement	9
Operating Instructions	10
Proper Draft	12

Part 1 Caution and Safety Notice

This stove must be installed in accordance with these instructions and must comply with local building and fire codes. Failure to do so could result in a chimney or house fire. Keep children, furniture, fixtures, and all combustible materials away from any heating appliance.

Your dealer will be able to install your stove or recommend an installation contractor. The dealer can help you locate the stove in the most appropriate manner for your home.

Prior to installation, owners and installers should contact local building and fire officials about restrictions, installation requirements, and inspection in your area.

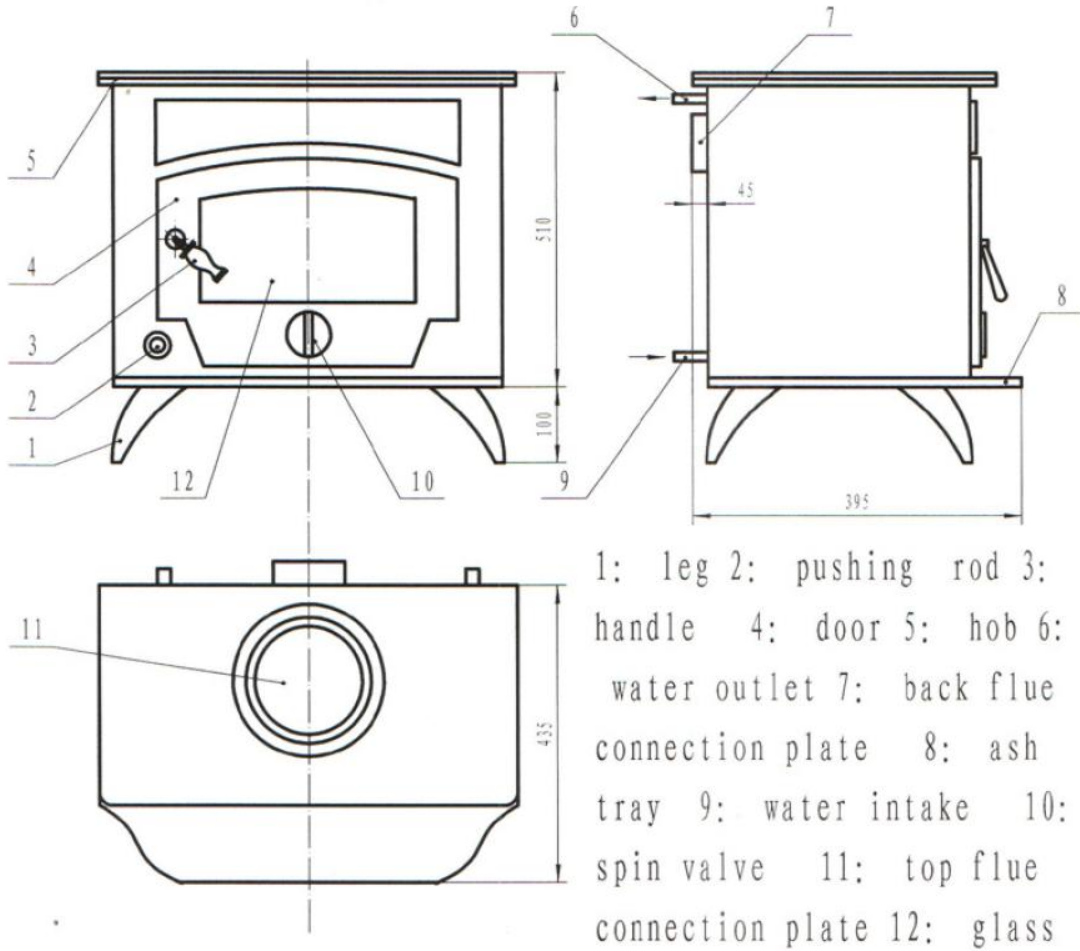
Stoves must be installed on an approved non-combustible floor.

In buildings of unusually tight construction, provide a fresh air vent to ensure sufficient combustion air is available.

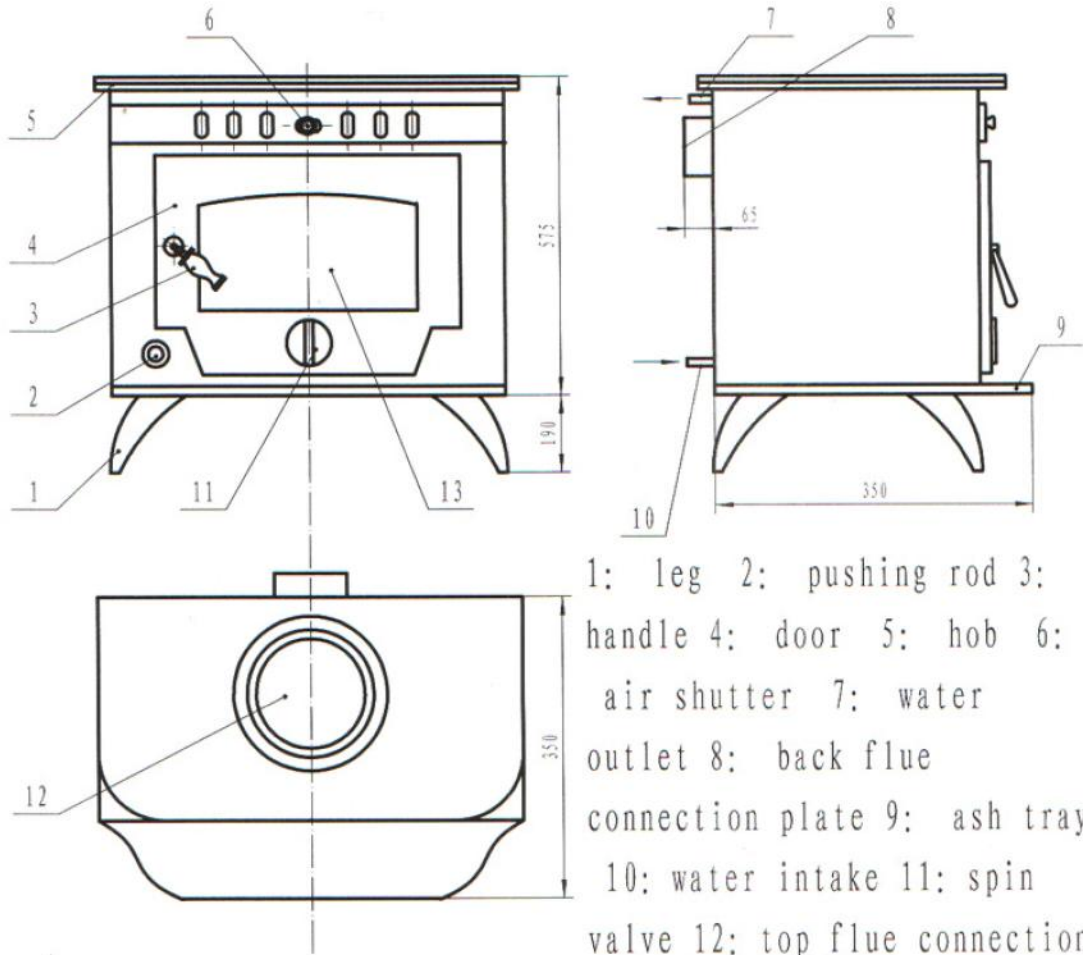
Read these instructions completely before installing your stove and save this manual for future reference.

Part 2 Diagram

Model 627 Diagram

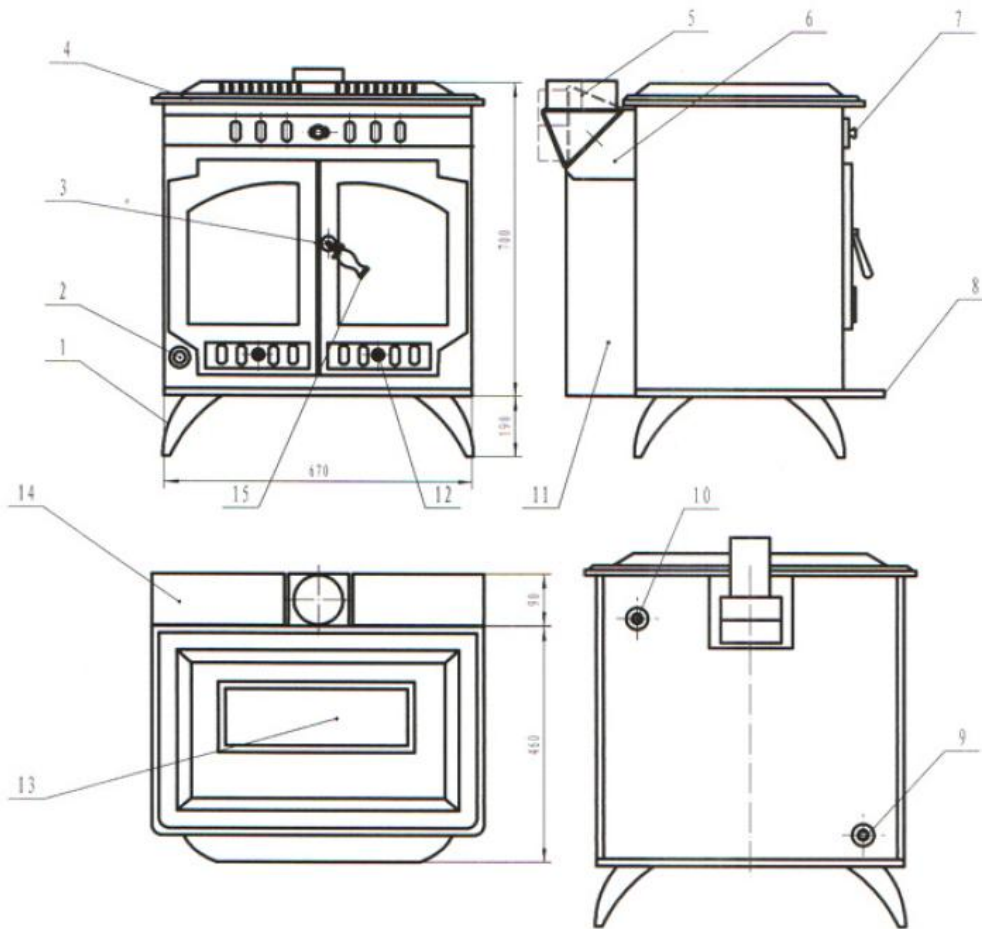


Model 657 Diagram



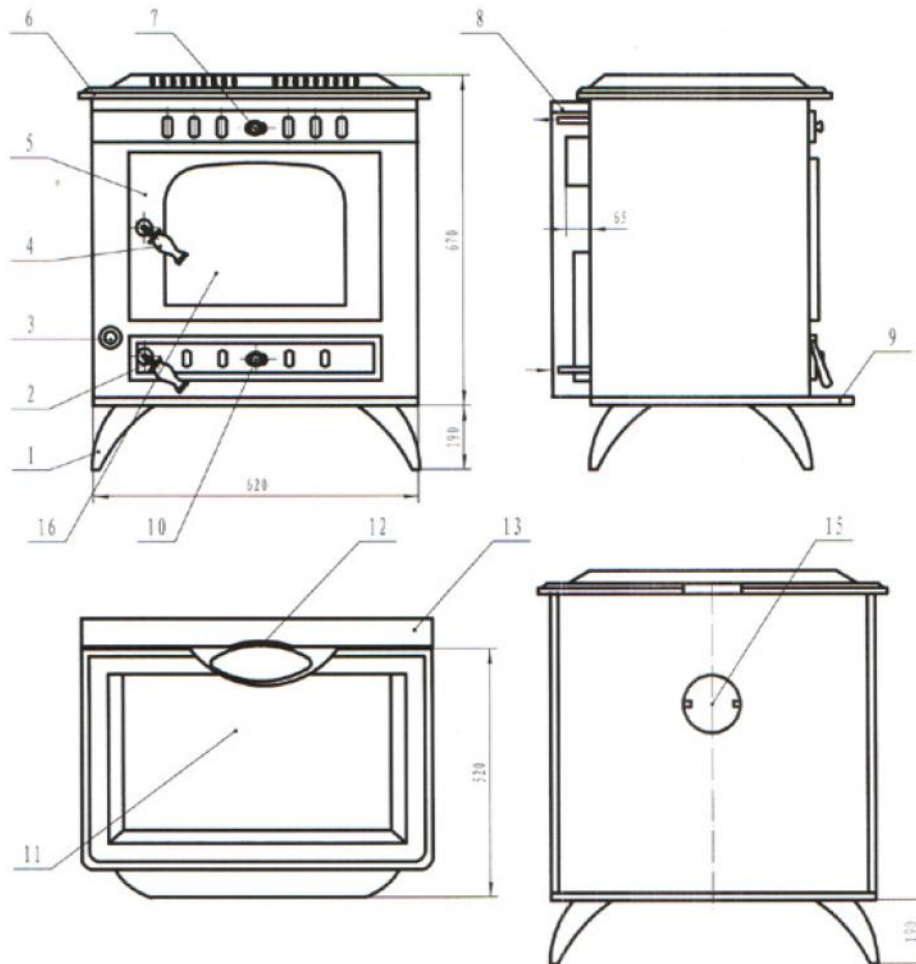
- 1: leg
- 2: pushing rod
- 3: handle
- 4: door
- 5: hob
- 6: air shutter
- 7: water outlet
- 8: back flue connection plate
- 9: ash tray
- 10: water intake
- 11: spin valve
- 12: top flue connection plate
- 13: glass

Model 667 Diagram



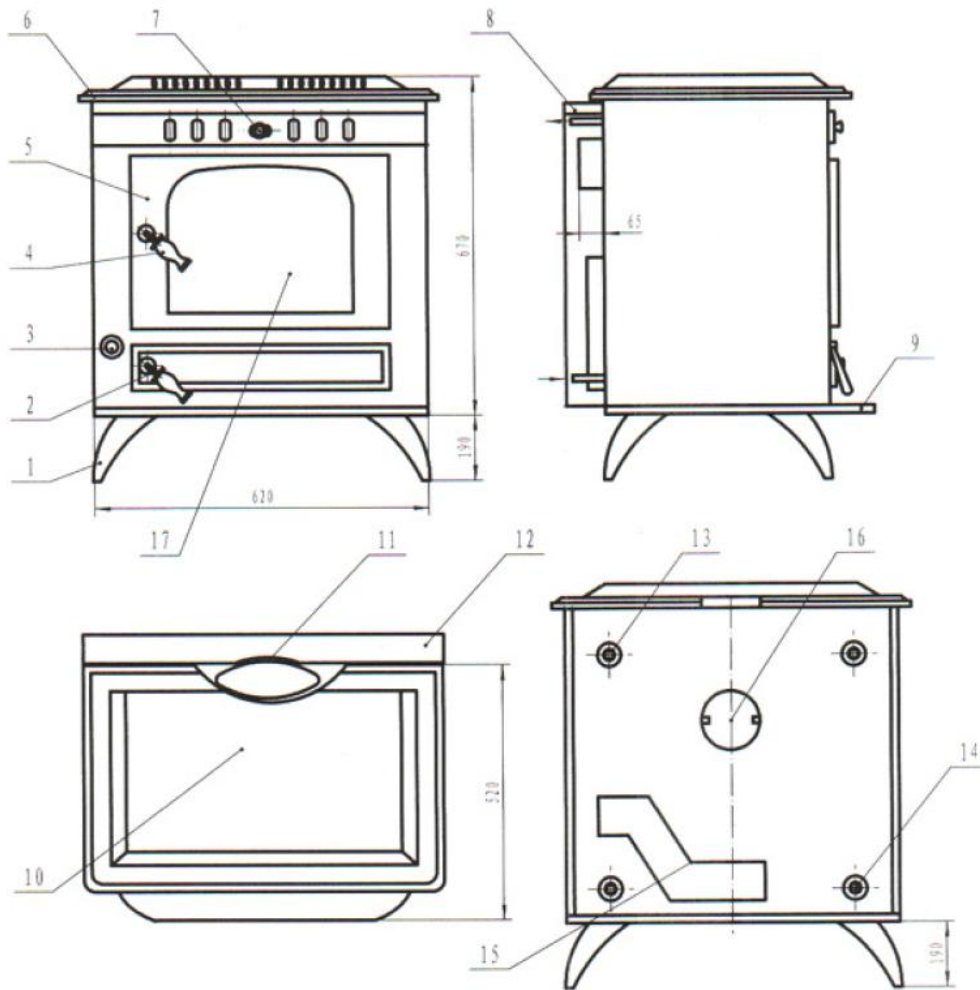
- 1: leg 2: pushing rod 3: handle 4: hob 5: top flue connection plate 6: back flue connection plate 7: air shutter 8: base 9: water intake 10: water outlet 11: side protector 12: below air shutter 13: blanking plate 14: top protector 15: glass

Model 679 Diagram



- 1: leg 2: ash door handle 3: pushing rod 4: fire door handle 5: fire door 6: hob 7: air shutter 8: side protector 9: base 10: below air shutter 11: hob 12: top flue connection plate 13: top protector 14: air intake 15: back flue connection plate 16: glass

Model 677 Diagram



1: leg 2: ash door handle 3: pushing rod 4: fire door handle 5: door 6: hob 7: air shutter 8: side protector 9: base 10: hob 11: top flue connection plate 12: top protector 13: water outlet 14: water intake 15: air intake 16: back flue connection plate 17: glass

Part 3 Flue System

This stove is designed to connect to a flue system such as masonry or a pre-manufactured lined pipe system that meets local code requirements. If you plan to use an existing masonry chimney, the inside should be checked for cracks in the liner. If there is no liner in the chimney we recommend installing a stainless steel liner. If you already have a steel liner, it should be carefully checked for buckling, warping, or cracks prior to installation. With either type system, it is absolutely necessary to clean it prior to installation of this stove. A qualified chimney sweep can clean and inspect your system, and in a lot of cases find problems the homeowner might overlook. The sweep can normally do chimney repairs or recommend a qualified person to do so.

WARNING: Do not connect this stove to a flue system serving another heating appliance.

REQUIRED FLUE SIZE

The proper flue size is determined by the inside diameter of the flue collar on the unit. The 627/629 model is equipped with a five-inch (5") flue collar, and the others six-inch (6"). This stove would require a six-inch (6") pipe and bend, smaller diameter pipe should never be used. The area of the chimney liner should be greater than the area of the flue collar on the stove, but never more than three times greater.

Example: The area of a six inch (6") flue collar is 28.87 square inches; therefore, the area of the flue liner should not be more than 84.8 square inches.

CAUTION: The connector pipe should be a 24-gauge steel pipe or cast iron pipe and must be eighteen inches (18") away from a combustible wall or ceiling. If you are using double wall or shielded pipe the clearance can be reduced to six inches (6"). Please follow the pipe manufacturer's instructions for passing through combustible walls and ceilings. Check your local codes prior to installation.

Part 4 Floor and Wall Protection

Position your stove on an approved non-combustible floor protector. If the base floor is constructed of combustible material such as hardwood, carpet, or linoleum, floor protection **MUST** be placed between the unit and the combustible material. Consult your dealer and/or local building inspector. Minimum clearance to walls **MUST** be maintained.

CAUTION:

- Do not install this stove in closets or alcoves.
- Keep combustibles at least three feet from the stove. This includes furniture, magazines, rugs, clothing, etc.
- Do not dry clothes on, or within, three feet of the stove.
- Do not store flammable liquids in the same room as the stove

Part 5 Installation and Placement

PRIOR TO INSTALLATION

READ THIS INSTRUCTION MANUAL IN ITS ENTIRETY.

Light the stove for the first time and bring the heat up slowly.

CHOOSING A LOCATION

A central location is most desirable, however, the minimum run of pipe to the chimney should be the deciding factor. Never attempt to handle the unit alone. We recommend using a handcart to position the heater.

CHIMNEY CONNECTOR

The connector pipe connects the heater to the chimney. Do not use single wall chimney connector pipe as a chimney on any stove. Connect your stove to an approved flue system serving only one appliance.

CAUTION: All pipe joints and the connection to the heater collar must be firmly secured.



SIDEWALL A - 229 mm / 9"

BACKWALL B - 76 mm / 3"

CORNER C - 26 mm / 1"

Operating Instructions

TYPE OF FUEL

CAUTION: Use only premium anthracite coal or wood. Contact your dealer or supplier for proper selection.

STARTING A FIRE

WARNING: DO NOT use gasoline, gasoline-type lantern fuel, kerosene, charcoal lighter fluid or similar fluids to start or “freshen up” a fire in this stove. Keep all such liquids well away from the stove. **DO NOT** burn garbage, gasoline, naphtha, engine oil or any other flammable liquids or chemicals.

1. Open the door of the stove.
2. Looking at the grate, you will notice that some of the coal has been deposited on the grate. Place crumbled paper on the grate and small wood chips or granulated charcoal on top of the paper.
3. Light the paper and allow the wood chips or charcoal to ignite. (Place more wood chips or charcoal on as needed.)
4. Turn the control knob until air is forced into the grate. This will accelerate the burning of the wood chips or charcoal.
5. If needed, turn the stove off and add more wood chips or charcoal. Turn the stove back on and place some coal or wood on top of the burning wood chips or charcoal.
6. Add a small amount of coal by hand until a good fire patch is established.
7. When your stove has been lit for about an hour, check the position of the hot coal on the grate. Because the burning characteristics of coal vary, the feed must be fine tuned for efficient operation.

CAUTION: Over-firing the heater may cause a house fire. If the stove or chimney connector glows, you are over-firing!

TEMPERATURE CONTROL AND FIRE ADJUSTING

The heat output of our model 627/629 and 657/659 stove is regulated by spin valve and 667/669 and 679 by air shutter and 677 Model has thermostat which adjusts the stove's temperature by increasing or decreasing the flow of draught. To adjust for your comfort, turn the spin valve clockwise.

If the fire patch is small and to the rear of the grate, use operating tool and pull and push the pushing rod. (Wait one hour and notice that the fire has become larger and advanced more to the front of the grate.) Additional pulls and push the pushing rod will continue to advance the fire. Too many pulls and pushes will cause the coal to fall off the end of the grate before it is consumed.

NOTE: Various qualities of coal have different burn characteristics. Therefore, you may have to change the adjustment to suit the coal purchased.

ASH CONTROL AND REMOVAL

Check the ash pan daily and empty as needed. Do not allow ashes to pile up in the base of the heater or overflow the ash pan.

CAUTION: ALWAYS USE OPERATING TOOL TO REMOVE THE ASH PAN.

CAUTION: Over-firing the heater may cause a house fire. If the stove or chimney connector glows, you are over-firing!

TEMPERATURE CONTROL AND FIRE ADJUSTING

The heat output of our model 627/629 and 657/659stove is regulated by spin valve and 667/669 and 679 by air shutter and 677 Model has thermostat which adjusts the stove's temperature by increasing or decreasing the flow of draught. To adjust for your comfort, turn the spin valve clockwise.

If the fire patch is small and to the rear of the grate, use operating tool and pull and push the pushing rod.(Wait one hour and notice that the fire has become larger and advanced more to the front of the grate.) Additional pulls and push the pushing rod will continue to advance the fire.Too many pulls and pushes will cause the coal to fall off the end of the grate before it is consumed.

NOTE: Various qualities of coal have different burn characteristics. Therefore, you may have to change the adjustment to suit the coal purchased.

ASH CONTROL AND REMOVAL

Check the ash pan daily and empty as needed. Do not allow ashes to pile up in the base of the heater or overflow the ash pan.

CAUTION: ALWAYS USE OPERATING TOOL TO REMOVE THE ASH PAN.

Part 7 Proper Draft

Draft is created in a chimney by warm air exiting the stove and rising in the cooler air of the chimney. (Suction up the chimney)

Maintain adequate draft of warm air exiting the stove at all times.

Chimney draft will increase or decrease depending upon wind speed and air temperatures along with other factors such as:

1. Air leak in stove or chimney. (Cleanout doors commonly used at the bottom of chimneys must not leak.)
2. Stove door gaskets are faulty or doors are not closed tightly.
3. Stovepipe, stovepipe outlet, or chimney partially or fully blocked.
4. Chimney temperature is not hot enough.
5. Chimney is not high enough.
6. Trees, buildings, or other obstructions too close to the top of the chimney.
7. Chimney flue is too large.
8. Vented exhaust fans as found in kitchens, bathrooms, and cloths dryers when running in a tight building can cause low draft and in some severe cases downdraft. This will cause air to pull down the chimney instead of allowing it to go up.

Max BTU Output:

Model 627/629: 22,000 BTU/HR

Model 657/659: 27,000 BTU/HR

Model 677/679: 50,000 BTU/HR

Model 667/669: 40,000 BTU/HR

CAUTION: Some of the above conditions can also cause downdrafts.

An indication that a downdraft is occurring will be the smell of sulfur (rotten eggs). This may also cause the grate unit to melt.

If any one of these conditions occurs, **DO NOT OPERATE THE STOVE** until the problem has been corrected.